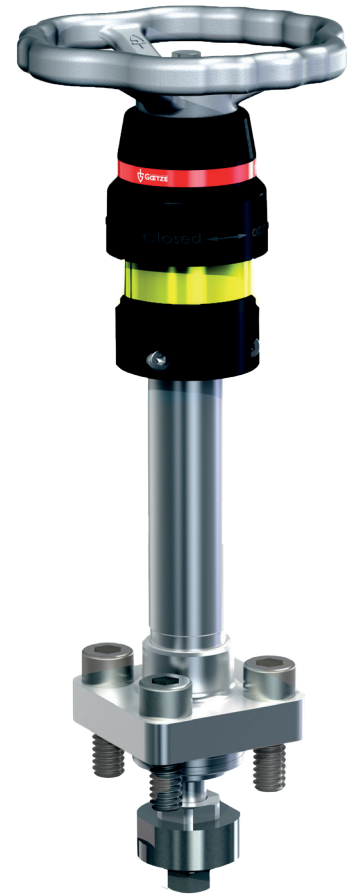
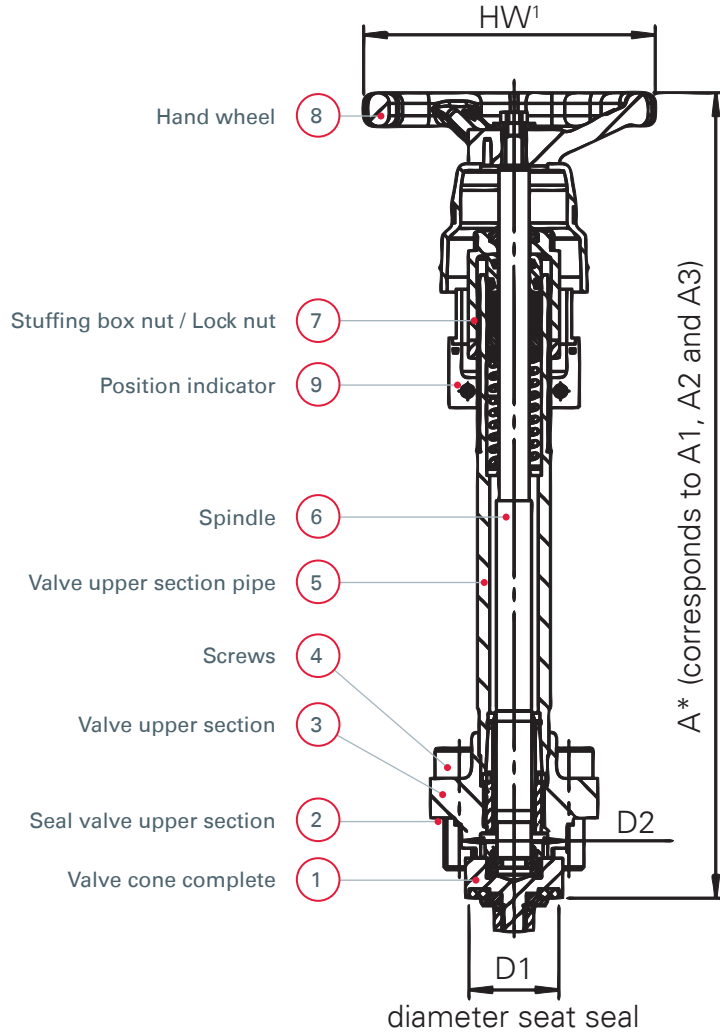


→ Overview of spare parts 2140 | Valve upper section complete with position indicator



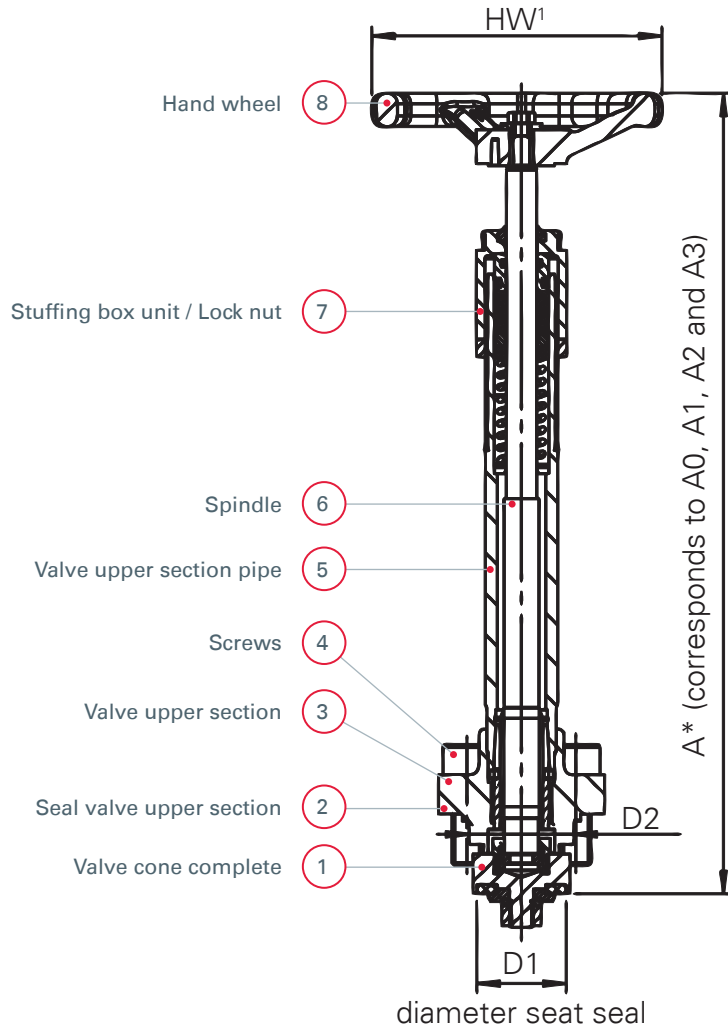
■ VALVE UPPER SECTION COMPLETE WITH POSITION INDIVATOR FOR SERIES 2140 (A1 - A3)

No.	Description	Material	Nominal diameter	D1	D2	Item No. (A1)	Item No. (A2)	Item No. (A3)
1	Valve cone complete <sup>1</sup>							
2	Seal valve upper section	PTFE TFM 1600						
3	Valve upper section	1.4408 / CF8M	DN 10	17 mm	24 mm	E2140.010.62	E2140.010.61	E2140.010.60
4	Screws	1.4301 / 304	DN 15	22 mm	26 mm	E2140.015.62	E2140.015.61	E2140.015.60
5	Valve upper section pipe	1.4404 / 316 L	DN 20	26 mm	32 mm	E2140.020.62	E2140.020.61	E2140.020.60
6	Spindle	1.4404 / 316 L	DN 25	29,5 mm	35 mm	E2140.025.62	E2140.025.61	E2140.025.60
7	Stuffing box nut / Lock nut	1.4404 / 316 L	DN 32 <sup>2</sup>	38 mm	44 mm	E2140.032.62	E2140.032.61	E2140.032.60
8	Hand wheel <sup>1</sup>	1.4408 / CF8M	DN 40 <sup>2</sup>	43 mm	48 mm	E2140.040.62	E2140.040.61	E2140.040.60
9	Position indicator	PA6 30% GF	DN 50	52 mm	57 mm	E2140.050.62	E2140.050.61	E2140.050.60

<sup>1</sup> See overview of spare parts 2140 | Valve upper section complete with spindle adaptation | Handwheel

<sup>2</sup> Please note with the nominal diameter that the actuator size does not always correspond to the DN, especially with DN32 and DN40 (see D2)!

→ Overview of spare parts 2140 | Valve upper section complete without position indicator



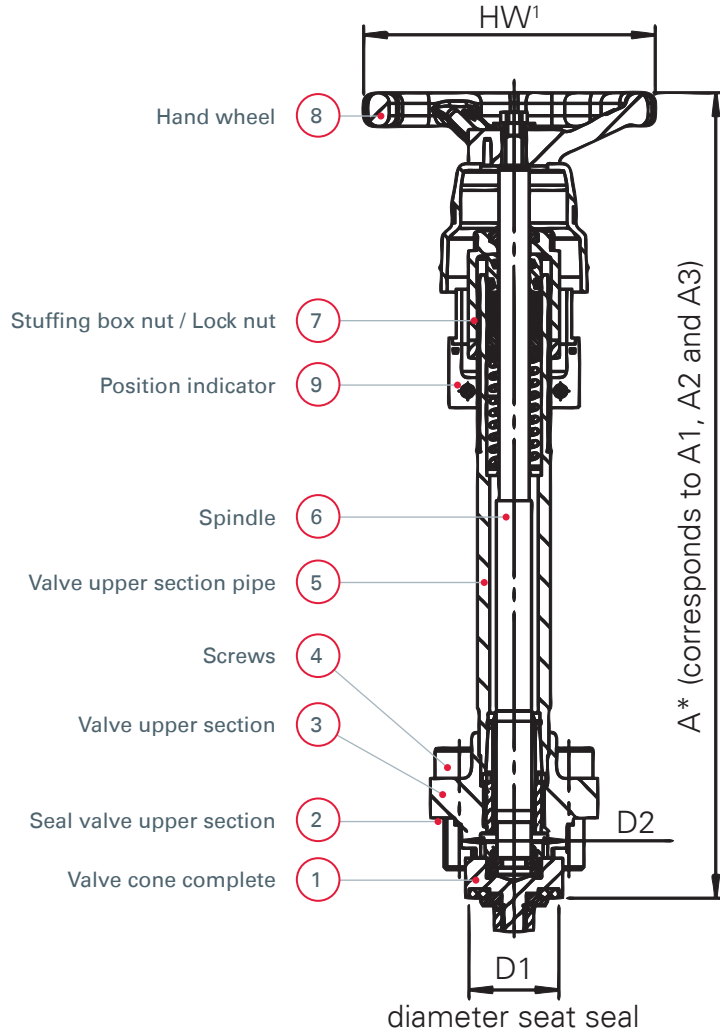
■ VALVE UPPER SECTION COMPLETE WITHOUT POSITION INDIVATOR FOR SERIES 2140 (A0 - A3)

No.	Description	Material	Nominal diameter	D1	D2	Item No. (A0)	Item No. (A1)	Item No. (A2)	Item No. (A3)
1	Valve cone complete <sup>1</sup>								
2	Seal valve upper section	PTFE/TFM 1600							
3	Valve upper section	1.4408 / CF8M	DN 10	17mm	24mm		E2140.010.82	E2140.010.81	E2140.010.80
4	Screws	1.4301 / 304	DN 15	22mm	26mm	E2140.010.83	E2140.015.82	E2140.015.81	E2140.015.80
5	Valve upper section pipe	1.4404 / 316 L	DN 20	26mm	32mm	E2140.015.83	E2140.020.82	E2140.020.81	E2140.020.80
6	Spindle	1.4404 / 316 L	DN 25	29,5mm	35mm	E2140.020.83	E2140.025.82	E2140.025.81	E2140.025.80
7	Stuffing box nut / Lock nut	1.4404 / 316 L	DN 32 <sup>2</sup>	38mm	44mm	E2140.025.83	E2140.032.82	E2140.032.81	E2140.032.80
8	Hand wheel <sup>1</sup>	1.4408 / CF8M	DN 40 <sup>2</sup>	43mm	48mm		E2140.040.82	E2140.040.81	E2140.040.80
			DN 50	52mm	57mm		E2140.050.82	E2140.050.81	E2140.050.80

<sup>1</sup> See overview of spare parts 2140 | Valve upper section complete with spindle adaptation | Handwheel

<sup>2</sup> Please note with the nominal diameter that the actuator size does not always correspond to the DN, especially with DN32 and DN40 (see D2)!

→ Overview of spare parts 2180 | Valve upper section complete with position indicator



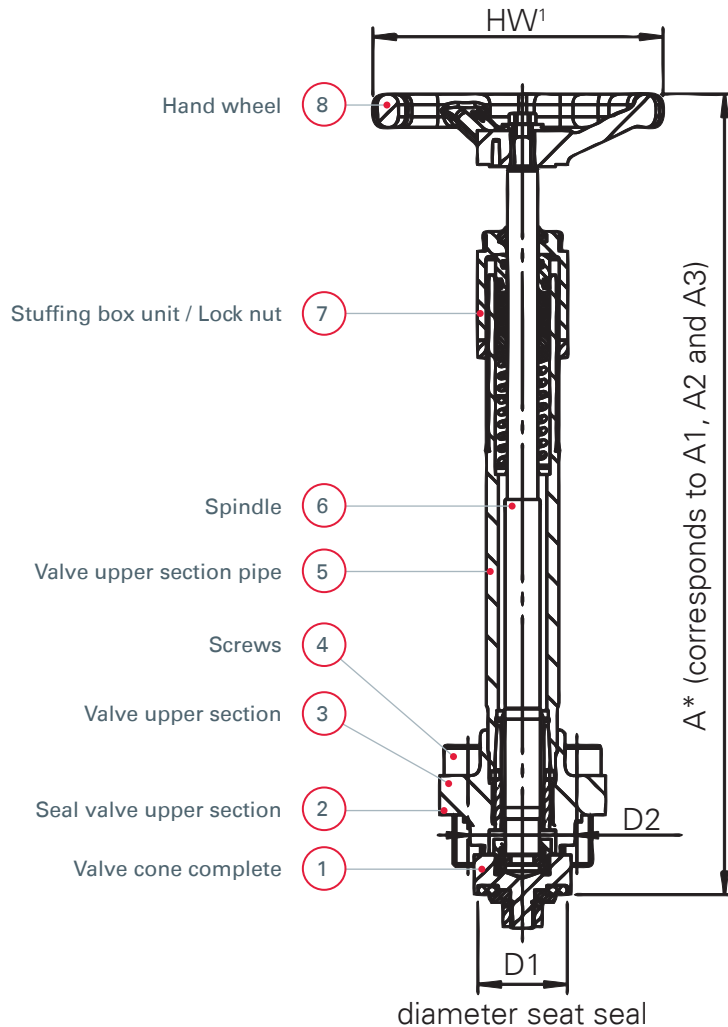
■ VALVE UPPER SECTION COMPLETE WITH POSITION INDIVATOR FOR SERIES 2180 (A1 - A3)

No.	Description	Material	Nominal diameter	D1	D2	Item No. (A1)	Item No. (A2)	Item No. (A3)
1	Valve cone complete <sup>1</sup>							
2	Seal valve upper section	PTFE TFM 1600						
3	Valve upper section	1.4408 / CF8M	DN 10	17 mm	24 mm	E2180.010.62	E2180.010.61	E2180.010.60
4	Screws	1.4301 / 304	DN 15	22 mm	26 mm	E2180.015.62	E2180.015.61	E2180.015.60
5	Valve upper section pipe	1.4404 / 316 L	DN 20	26 mm	32 mm	E2180.020.62	E2180.020.61	E2180.020.60
6	Spindle	1.4404 / 316 L	DN 25	29,5 mm	35 mm	E2180.025.62	E2180.025.61	E2180.025.60
7	Stuffing box nut / Lock nut	CW617N	DN 32 <sup>2</sup>	38 mm	44 mm	E2180.032.62	E2180.032.61	E2180.032.60
			DN 40 <sup>2</sup>	43 mm	48 mm	E2180.040.62	E2180.040.61	E2180.040.60
			DN 50	52 mm	57 mm	E2180.050.62	E2180.050.61	E2180.050.60
8	Hand wheel <sup>1</sup>	1.4408 / CF8M						
9	Position indicator	PA6 30% GF						

<sup>1</sup> See overview of spare parts 2180 | Valve upper section complete with spindle adaptation | Handwheel

<sup>2</sup> Please note with the nominal diameter that the actuator size does not always correspond to the DN, especially with DN32 and DN40 (see D2)!

→ Overview of spare parts 2180 | Valve upper section complete without position indicator



■ VALVE UPPER SECTION COMPLETE WITHOUT POSITION INDIVATOR FOR SERIES 2180 (A0 - A3)

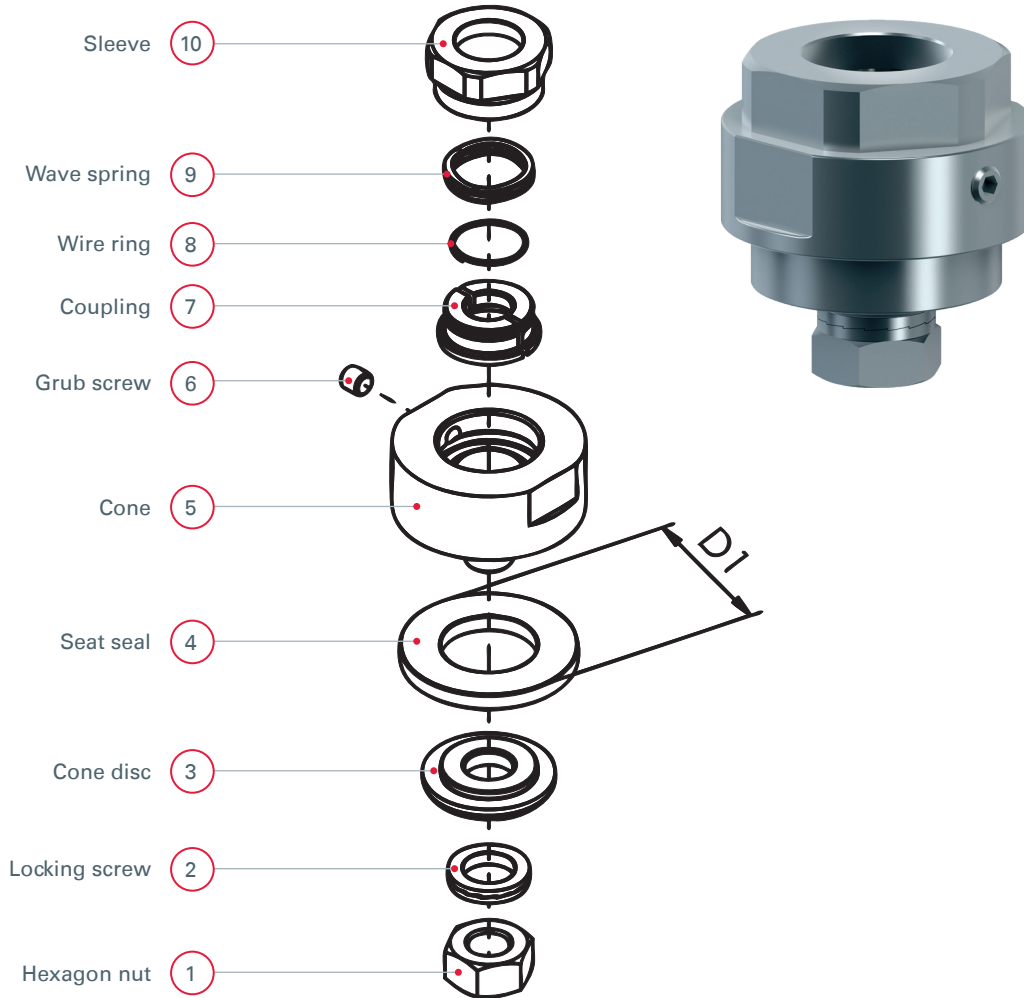
No.	Description	Material	Nominal diameter	D1	D2	Item No. (A0)	Item No. (A1)	Item No. (A2)	Item No. (A3)
1	Valve cone complete <sup>1</sup>								
2	Seal valve upper section	PTFE/TFM 1600							
3	Valve upper section	1.4408 / CF8M	DN 10	17mm	24mm		E2180.010.82	E2180.010.81	E2180.010.80
4	Screws	1.4301 / 304	DN 15	22mm	26mm	E2180.010.83	E2180.015.82	E2180.015.81	E2180.015.80
5	Valve upper section pipe	1.4404 / 316 L	DN 20	26mm	32mm	E2180.015.83	E2180.020.82	E2180.020.81	E2180.020.80
6	Spindle	1.4404 / 316 L	DN 25	29,5mm	35mm	E2180.020.83	E2180.025.82	E2180.025.81	E2180.025.80
7	Stuffing box nut / Lock nut	CW617N <sup>3</sup>	DN 32 <sup>2</sup>	38mm	44mm	E2180.025.83	E2180.032.82	E2180.032.81	E2180.032.80
8	Hand wheel <sup>1</sup>	1.4408 / CF8M	DN 40 <sup>2</sup>	43mm	48mm		E2180.040.82	E2180.040.81	E2180.040.80
			DN 50	52mm	57mm		E2180.050.82	E2180.050.81	E2180.050.80

<sup>1</sup> See overview of spare parts 2180 | Valve upper section complete with spindle adaptation | Handwheel

<sup>2</sup> Please note with the nominal diameter that the actuator size does not always correspond to the DN, especially with DN32 and DN40 (see D2)!

<sup>3</sup> A0: 1.4404 / 316 L

→ Overview of spare parts 2140 | Valve disc section complete with spindle adaption

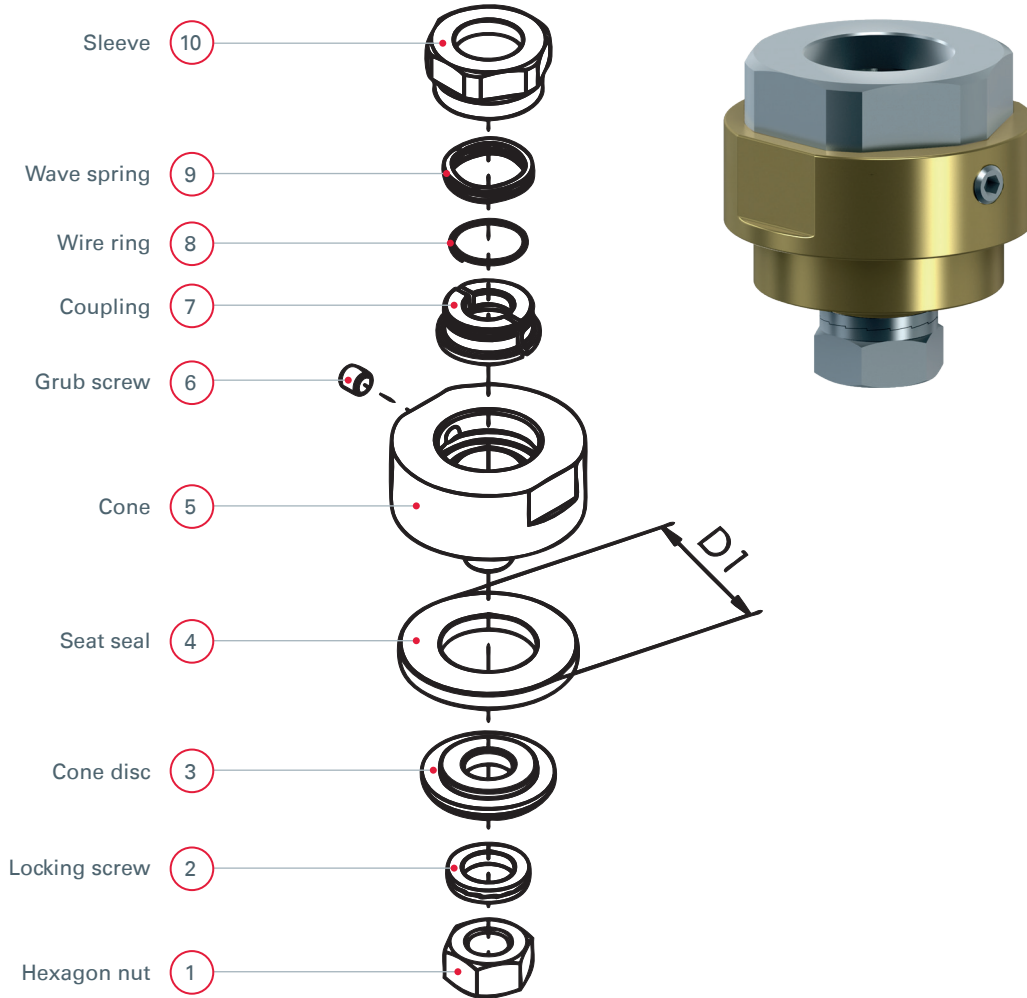


■ COMPONENTS VALVE DISC SECTION COMPLETE WITH SPINDLE ADAPTION 2140

No.	Description	Material	Nominal diameter	D1	Item No.
1	Hexagon nut	1.4401 / 316			
2	Locking screw	1.4404 / 316 L			
3	Cone disc	1.4404 / 316 L			
4	Seat seal	PTFE TF 4215	DN 10	17	E2140.010.20
			DN 15	22	E2140.015.20
5	Cone	1.4404 / 316 L	DN 20	26	E2140.020.20
			DN 25	29,5	E2140.025.20
6	Grub screw	1.4301 / 304	DN 32 <sup>1</sup>	38	E2140.032.20
7	Coupling	1.4404 / 316 L	DN 40 <sup>1</sup>	43	E2140.040.20
			DN 50	52	E2140.050.20
8	Wire ring	1.4310			
9	Wave spring	1.4568			
10	Sleeve	1.4404 / 316 L			

<sup>1</sup> Please note with the nominal diameter that the actuator size does not always correspond to the DN, especially with DN32 and DN40 (see D2)!

→ **Overview of spare parts 2180 | Valve disc section complete with spindle adaption**



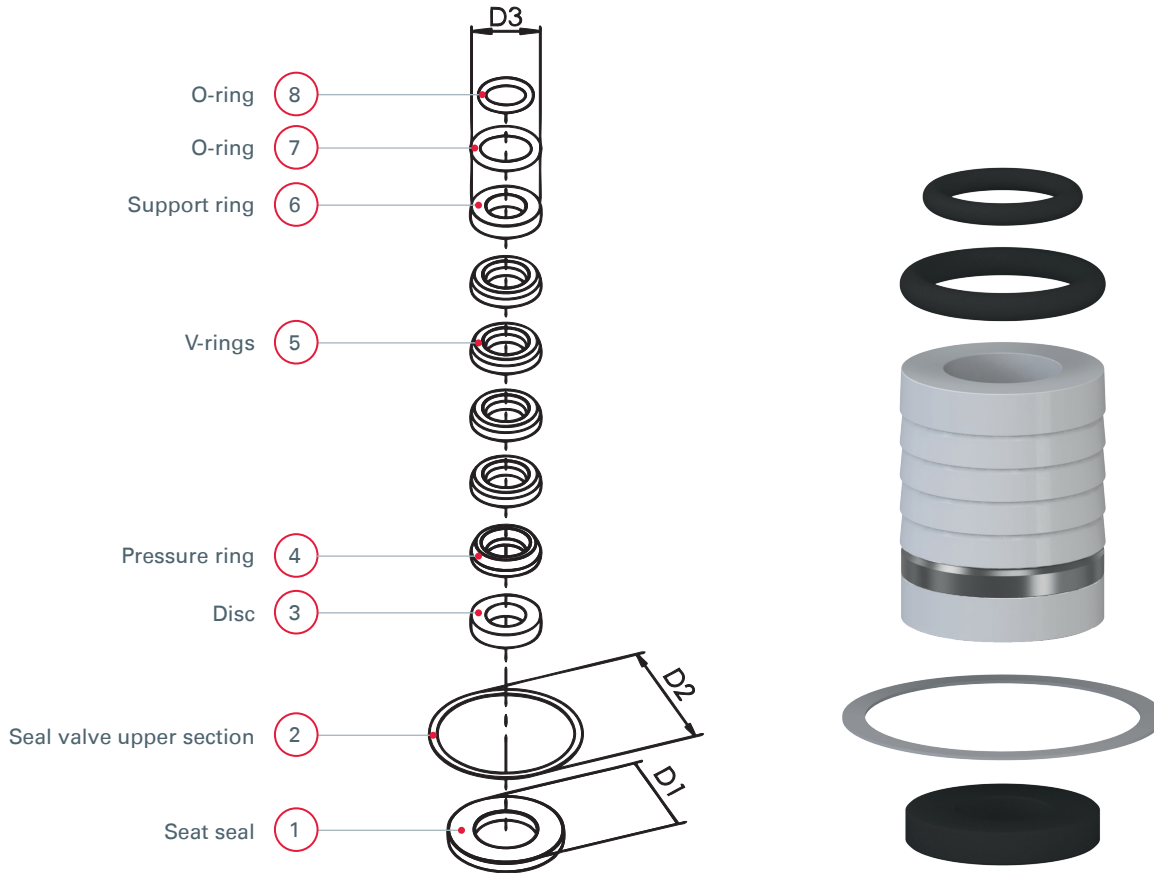
■ COMPONENTS VALVE DISC SECTION COMPLETE WITH SPINDLE ADAPTION 2180

No.	Description	Material	Nominal diameter	D1	Item No.
1	Hexagon nut	1.4401 / 316			
2	Locking screw	1.4404 / 316 L			
3	Cone disc	CW617N			
4	Seat seal	PTFE TF 4215	DN 10	17	E2180.010.20
5	Cone	CW617N	DN 15	22	E2180.015.20
			DN 20	26	E2180.020.20
6	Grub screw	1.4301 / 304	DN 25	29,5	E2180.025.20
			DN 32 <sup>1</sup>	38	E2180.032.20
7	Coupling	1.4404 / 316 L	DN 40 <sup>1</sup>	43	E2180.040.20
			DN 50	52	E2180.050.20
8	Wire ring	1.4310			
9	Wave spring	1.4568			
10	Sleeve	1.4404 / 316 L			

<sup>1</sup> Please note with the nominal diameter that the actuator size does not always correspond to the DN, especially with DN32 and DN40 (see D2)!



# → Overview of spare parts 2140 / 2180 | Sealing set complete

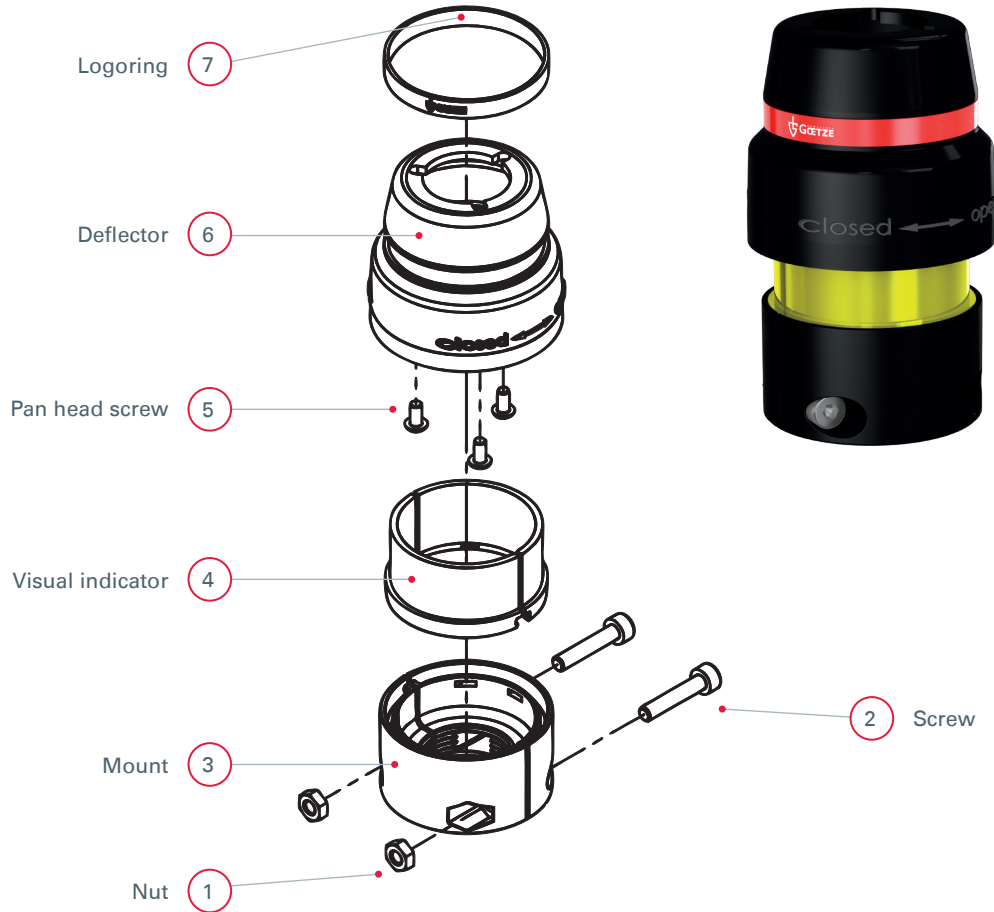


■ COMPONENTS SEALING SET COMPLETE 2140 / 2180

No.	Description	Material	Nominal diameter	D1	D2	D3	Item No.
1	Seat seal	PTFE TF 4215					
2	Seal valve upper section	PTFE TFM 1600					
3	Disc	PTFE TFM 1600	DN 10	17 mm	28 mm	18 mm	E2140.010.35
			DN 15	22 mm	30 mm	18 mm	E2140.015.35
4	Pressure ring	1.4404 / 316 L	DN 20	26 mm	38 mm	18 mm	E2140.020.35
			DN 25	29,5 mm	39 mm	18 mm	E2140.025.35
5	V-rings	PTFE TFM 1600	DN 32 <sup>1</sup>	38 mm	50 mm	22 mm	E2140.032.35
			DN 40 <sup>1</sup>	43 mm	54 mm	22 mm	E2140.040.35
6	Support ring	PTFE TFM 1600	DN 50	52 mm	63 mm	22 mm	E2140.050.35
7	O-ring	HNBR					
8	O-ring	HNBR					

<sup>1</sup>When selecting the nominal size, please note that the actuator size does not always correspond to the DN, especially with DN32 and DN40 (see D1, D2 + D3)!

# → Overview of spare parts 2140 / 2180 | Position indicator

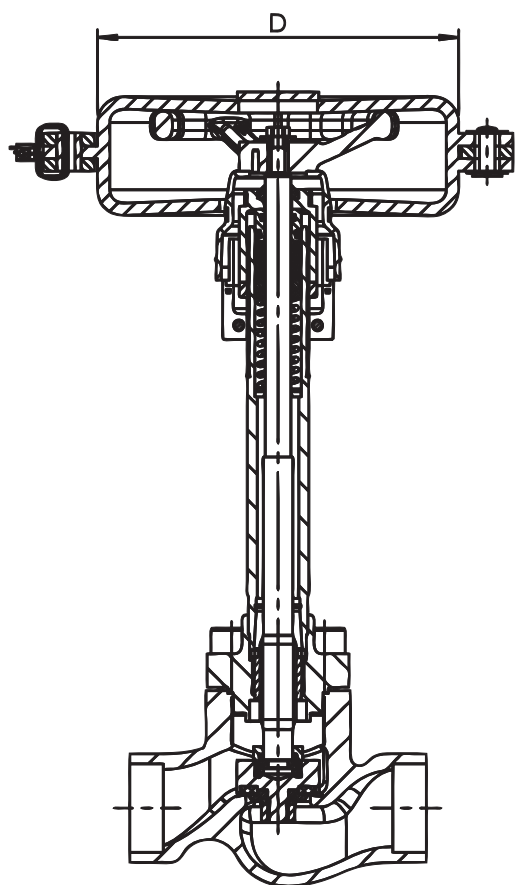


■ COMPONENTS POSITION INDICATOR 2140 / 2180 (A1 - A3)

No.	Description	Material	Nominal diameter	Item No.
1	Nut	1.4401 / 316		
2	Screws	1.4301 / 304		
3	Mount	PA6 30GF - black		
4	Visual indicator	PA6 30GF - yellow	DN 10 – DN 25 DN 32 – DN 50	E2140.01025.01 E2140.03250.01
5	Pan head screw	1.4401 / 316		
6	Deflector	PA6 30GF - black		
7	Logoring	Elastolan C 95 A 55		



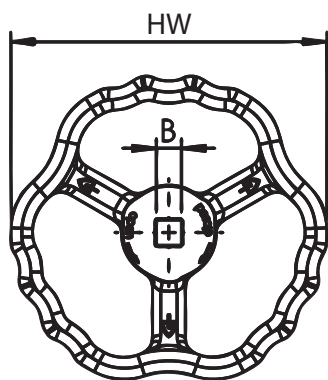
→ Overview of spare parts 2140 / 2180 | Handwheel locking



■ HANDWHEEL LOCKING 2140 / 2180

No.	Description	Material	Nominal diameter	D	Item No.
1	Valve shut-off for handwheel	Polypropylen	DN 10 – DN 50	140	E2140.01050.05

## → Overview of spare parts 2140 / 2180 | Handwheel



### ■ COMPONENTS HANDWHEEL 2140 / 2180

No.	Description	Material	Nominal diameter	HW	B	Item No.
1	Handwheel stainless steel	1.4408 / CF8M	DN 10 – DN 25 DN 32 – DN 50	100 mm 125 mm	Square 8 Square 12	E2140.01025.10 E2140.03250.10

<sup>1</sup>Coatings possible on request!