

→ Series 9160



■ MATERIAL



■ SPECIFICATION



3/8" - 3/4"



+5°C to 60°C



Inlet pressure:
bis 16 bar
Outlet pressure:
1 - 6 bar

■ SUITABLE FOR

Potable water cold	up to 40°C	
Potable water hot	up to 60°C	

■ EXAMPLES OF USE

Protection of water-bearing devices, machines and water supply systems in single-family and multi-family homes against excessive supply pressure. Use of pressure reducers, if a constant supply pressure is required in the system.

- Protection against overpressure
- Increasing comfort and reducing water consumption
- Coffee machines
- Water dispensers, soft drink dispensers
- Drinking water supply systems Apartment & single-family house

■ FEATURES

- Compact design, ideal for tight spaces in machines
- Adjustment scale for setting without pressure gauge / operating pressure
- Internal and external thread connection (DN15+DN20)
- Filter screen with mesh size 350µm

■ APPROVALS

DVGW Hygiene	
DIN-DVGW type examination	
Type approval WRAS requested	
Type approval ACS	
Requirements	
DIN EN 1567	DVGW W270
DIN 4109	Elastomere guideline
UBA BWGL for metallic materials	KTW guideline

■ MATERIALS

Component	Material	DIN EN
Body	dezincification-resistant brass	CC770S
Valve insert	Plastic Stainless steel Elastomere	POM / 1.4301 / EPDM
Filter screen	Stainless Steel	1.4301
Spring housing	Plastic	PA Glass fibre reinforced
O-rings	Elastomere	EPDM
Plug	Plastic	PA Glass fibre reinforced

Series 9160 ■ VALVE VERSION

m	with diaphragm	High-quality, heat-resistant moulded elastomer membrane with fabric reinforced.
----------	----------------	---

■ MEDIUM

f	liquid	For drinking water. Not suitable for steam. Other media on request.
----------	--------	---

■ TYPE OF LIFTING MECHANISM

0	without lifting device
----------	------------------------

■ OUTLET PRESSURE RANGES

SP	Standard version	Inlet pressure: up to 16 bar (PN 16)	Outlet pressure: 1 bis 6 bar
-----------	------------------	--------------------------------------	------------------------------

■ AVAILABLE NOMINAL DIAMETERS AND CONNECTION SIZES

Nominal diameter DN	8	15	20
Inlet	3/8" (10)	1/2" (15)	3/4" (20)
Outlet	3/8" (10)	1/2" (15)	3/4" (20)

■ TYPE OF CONNECTION INLET / OUTLET FLANGE CONNECTIONS

mf / mf	Standard DN 15 + DN 20	Version with internal and external thread	DIN EN ISO 228-1 / DIN EN ISO 228-1
f / f	Standard DN 8	Female thread BSP-P / Female thread BSP-P	DIN EN ISO 228-1 / DIN EN ISO 228-1
m / m	Standard DN 8	Male thread BSP-P / Male thread BSP-P	DIN EN ISO 228-1 / DIN EN ISO 228-1
BSP-Tm / BSP-Tm	On request	Male thread BSP-T / Male thread BSP-T	DIN EN 10226 / DIN EN 10226

■ SEALS

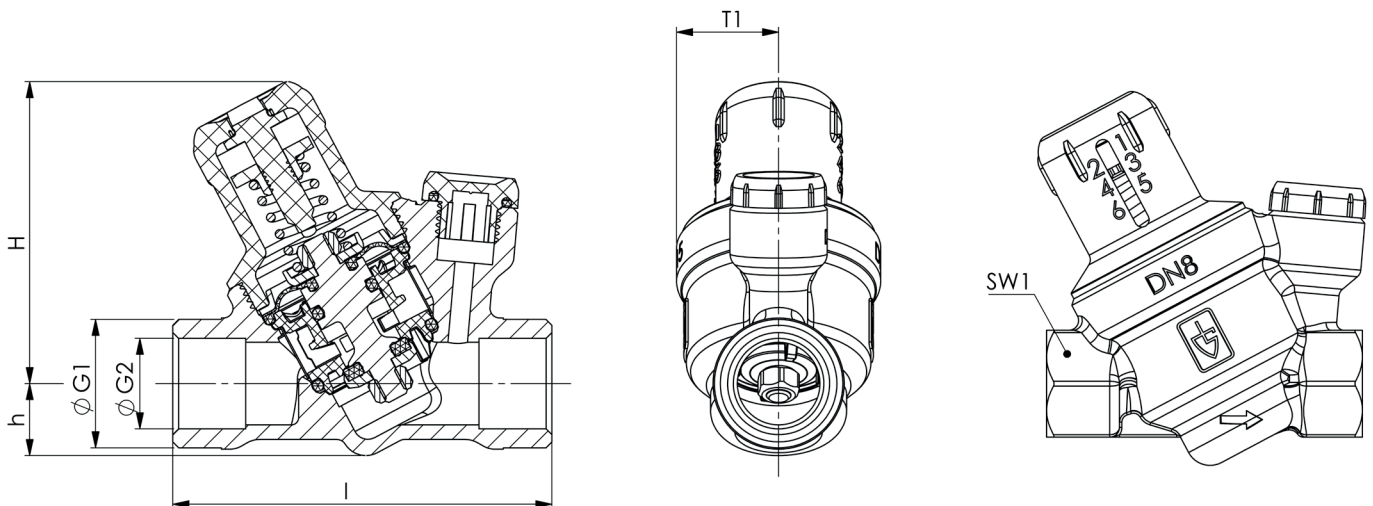
EPDM	Ethylene propylene diene	Elastomere moulded diaphragm and seals approvals according to drinking water directive
-------------	--------------------------	--

■ NOMINAL DIAMETERS, CONNECTIONS, INSTALLATION DIMENSIONS

Series 9160: Connection, installation dimensions, ranges of adjustment					
Nominal diameter	DN	8 f/f	8 m/m	15	20
Connection body DIN EN ISO 228-1	G1	-	G 3/8"	G 3/4"	G 1"
Connection body	G2	G 3/8"	-	G 1/2"	G 3/4"
Inlet pressure	bar	max. 16	max. 16	max. 16	max. 16
Operating temperature	°C	60	60	60	60
Outlet pressure range SP	bar	1 - 6	1 - 6	1 - 6	1 - 6
Installation dimensions in mm	I	65	80	78	86
	L*	-	-	138	156
	H	60	60	62	62
	h	17	17	15	17
	T1	21	21	21	21
	SW1	22	-	-	-
Pressure gauge connection DIN ISO228-1	G3	1/4" radial	1/4" radial	1/4" radial	1/4" radial
Weight	Kg	0,29	0,29	0,31	0,35
Coefficient of flow Kvs	m ³ /h	1,9	1,9	2,3	2,5

*Threaded grommets are not included in the scope of delivery. Available as accessories.

■ MAIN DIMENSIONS, INSTALLATION DIMENSIONS



Series 9160 ■ INDIVIDUAL SELECTION / VALVE CONFIGURATION

Series	Valve version	Medium	Lifting device	Outlet pressure	Nominal diameter DN	Connection type		Connection size		Seal	Options	Optional: fixed setting	Quantity
						Inlet	Outlet	Inlet	Outlet				
9160	m	F	0	SP	8	f	f	10	10	EPDM			
9160	m	F	0	SP	15	mf	mf	15	15	EPDM			
9160	m	F	0	SP	20	mf	mf	20	20	EPDM			
9160													

■ PROPERTIES, VARIANTS, SUPPLEMENTS

S17	Supply with manometers 0-10 bar with PTFE Ring	<input type="checkbox"/>
A31	Supplied with connector John Guest 8mm	<input type="checkbox"/>
A31-1	Supplied with connector John Guest 8mm and Manometer 0-10 bar with PTFE Ring	<input type="checkbox"/>
A32	with integrated backflow preventer Typ EA	<input type="checkbox"/>
A32-1	with integrated backflow preventer Typ EA and connector John Guest 8mm	<input type="checkbox"/>
A32-2	with integrated backflow preventer Typ EA, connector John Guest 8mm and manometer 0-10 bar with PTFE Ring	<input type="checkbox"/>
A32-3	with integrated backflow preventer Typ EA and manometer 0-10 bar with PTFE Ring	<input type="checkbox"/>

■ APPROVALS

C01	Factory certificate acc. DIN EN 10204 2.2 (WKZ 2.2)	<input type="checkbox"/>
C02	Test certificate acc. DIN EN 10204 3.1 (WPZ 3.1)	<input type="checkbox"/>
C03	Material test certificate acc. DIN EN 10204 3.1 (MPZ 3.1) (pressure retaining part)	<input type="checkbox"/>

■ ADMISSIONS

AA1	EC Type examination acc. to Directive 2014/68/EU	<input checked="" type="checkbox"/>	AB2	Water regulations and advisory scheme WRAS type approval	<input type="checkbox"/>
AA4	EAC - certificate/declaration with passport for the valve and laser marking of the valve	<input type="checkbox"/>	AB3	Attestation de Conformité Sanitaire, ACS type approval	<input type="checkbox"/>
AB1	Deutscher Verein des Gas- und Wasserfaches, DVGW type approval	<input type="checkbox"/>			<input type="checkbox"/>

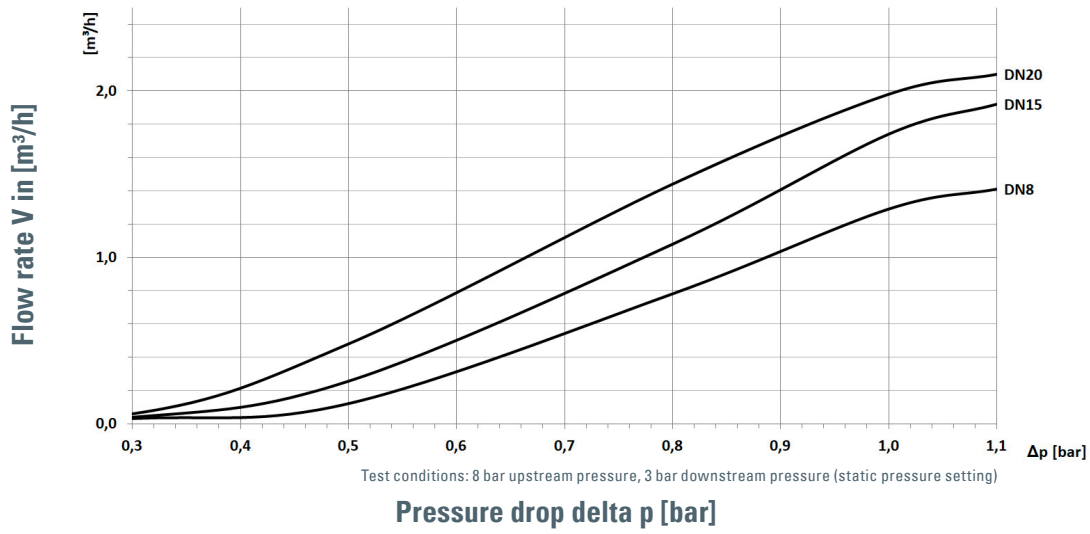
■ ENQUIRY

Copy and send to: order@goetze.de.

Series 9160:

Dimensioning by pressure loss on the outlet pressure side

Flow chart water



Dimensioning by flow velocity

For liquids:

With help of the chart you can determine the nominal diameter (DN) for a given flow volume V (m³/h). According to DVGW-guidelines (DIN 1988) a flow velocity of 2 m/s in domestic water supply systems should not be exceeded.

